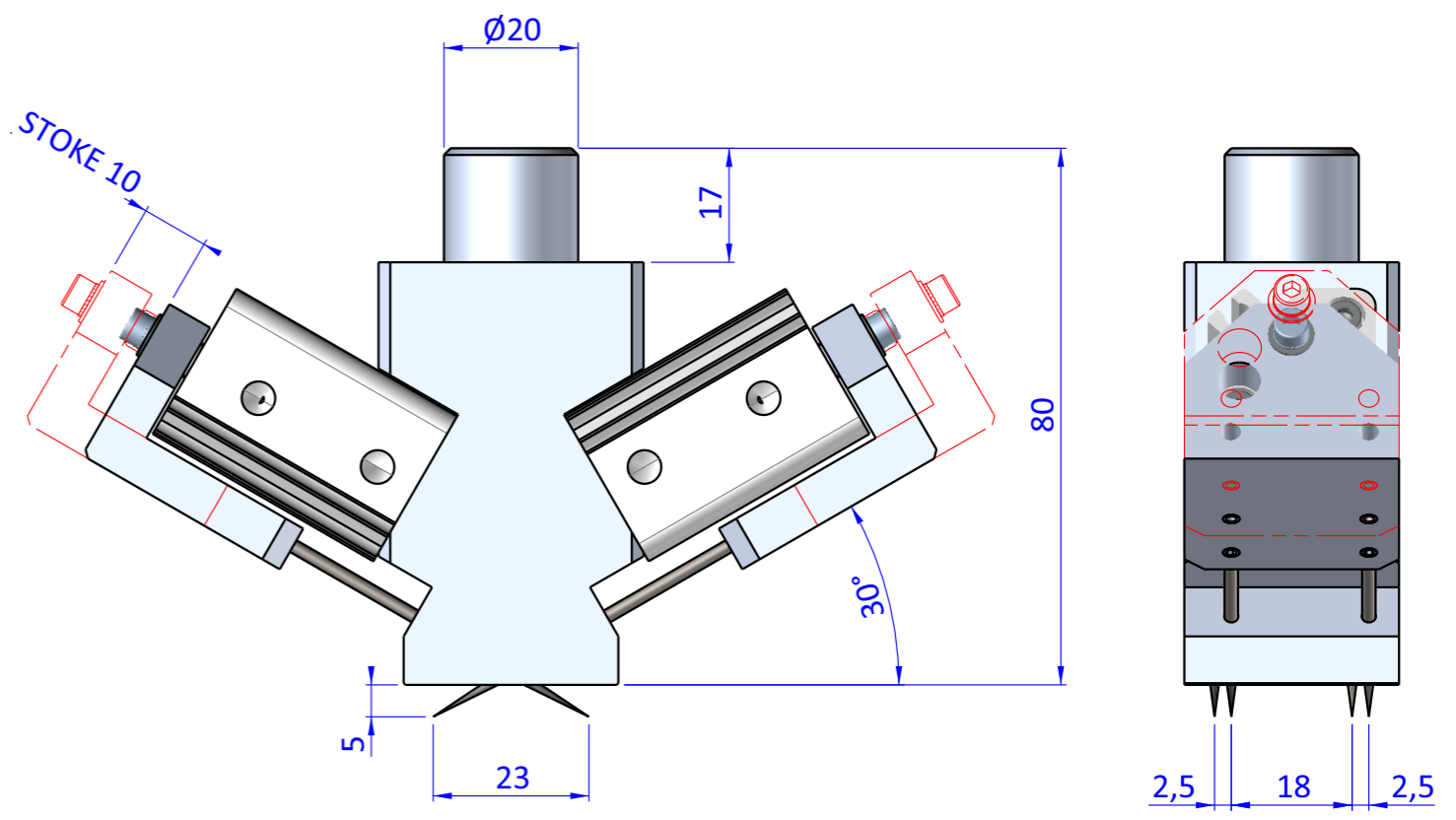
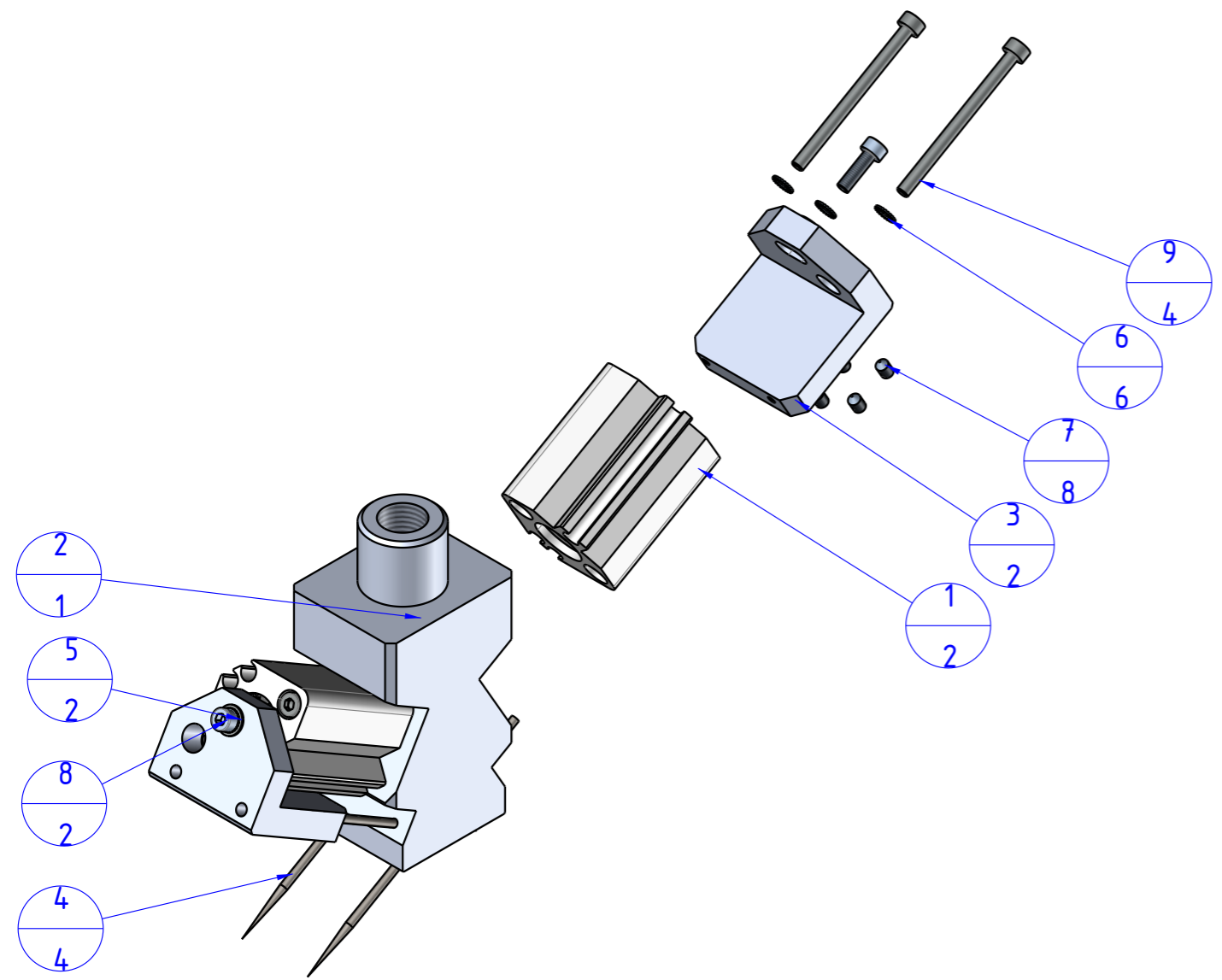
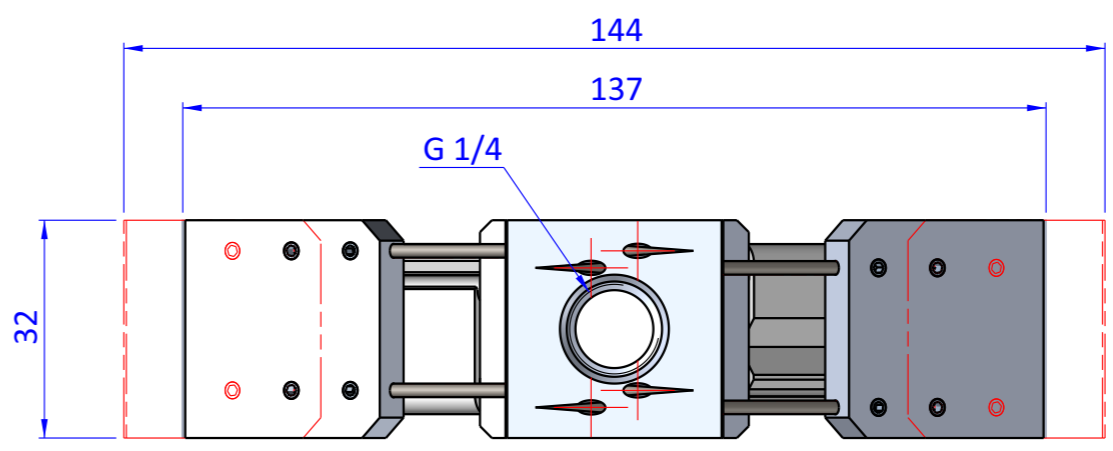



THE PROPERTY OF THE DRAWING IS ESTABLISHED BY LAW. IT IS FORBIDDEN TO PRODUCE OR SHOW IT TO THIRD PART - WITHOUT A WRITTEN AGREEMENT.

Item	Name	Q.ty
1	CA.11.18.001	2
2	PAA.CF.01	1
3	PAA.CF.02	2
4	PAA.CF.03	4
5	R.3	2
6	R.3.SCH	6
7	V.STM3X5	8
8	V.TCE3x10	2
9	V.TCE3x40	4



Format A3
UNI 936-76

 FPS FPSERVICES AUTOMATION		DESIGNED FROM		REVIEW
		FPS Automation		A
GENERAL TOLERANCE		DATE	WEIGHT	
UNI - ISO 2768		07/06/2022	0,218kg	
CLASSE f		DESCRIPTION	CODE	
		CA.PAA.CF.D	CA.PAA.CF.D	